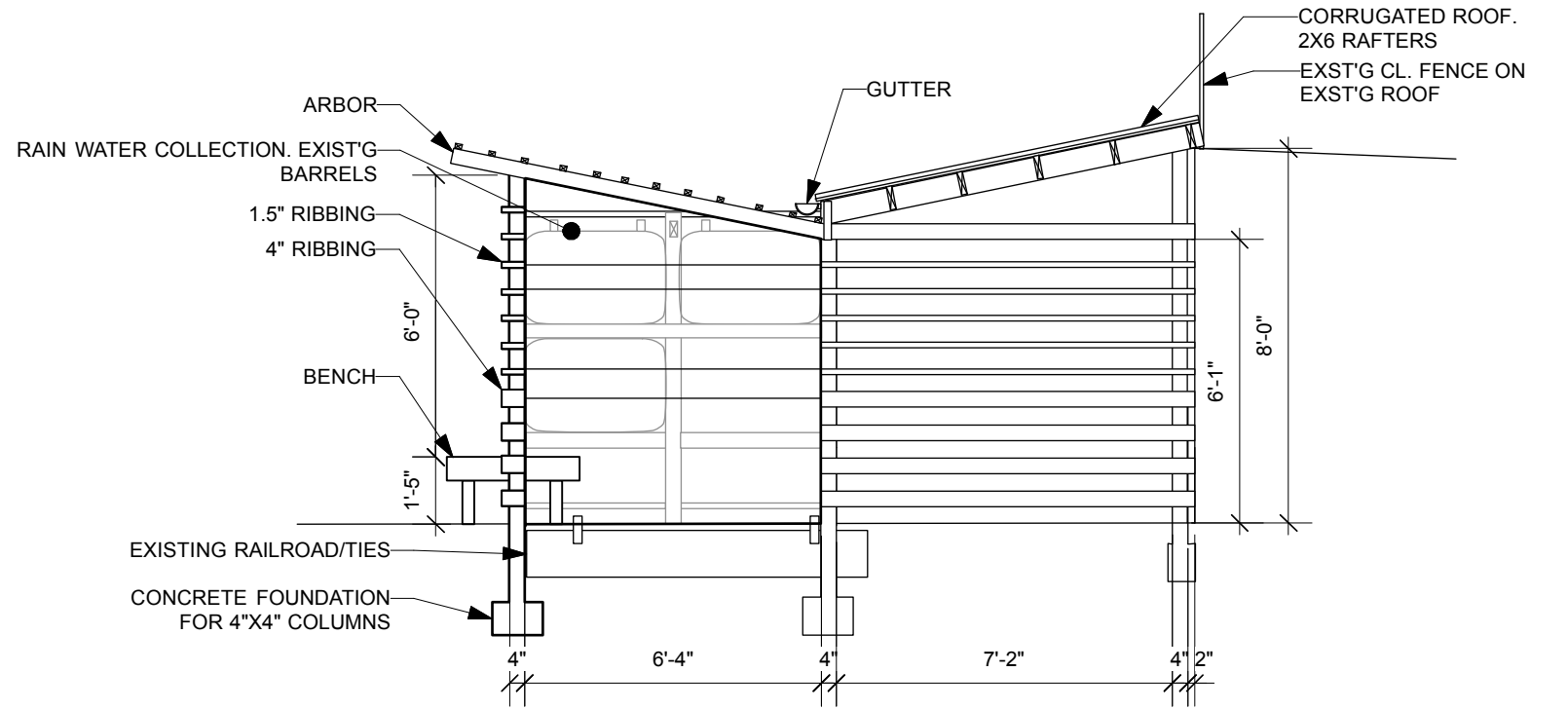
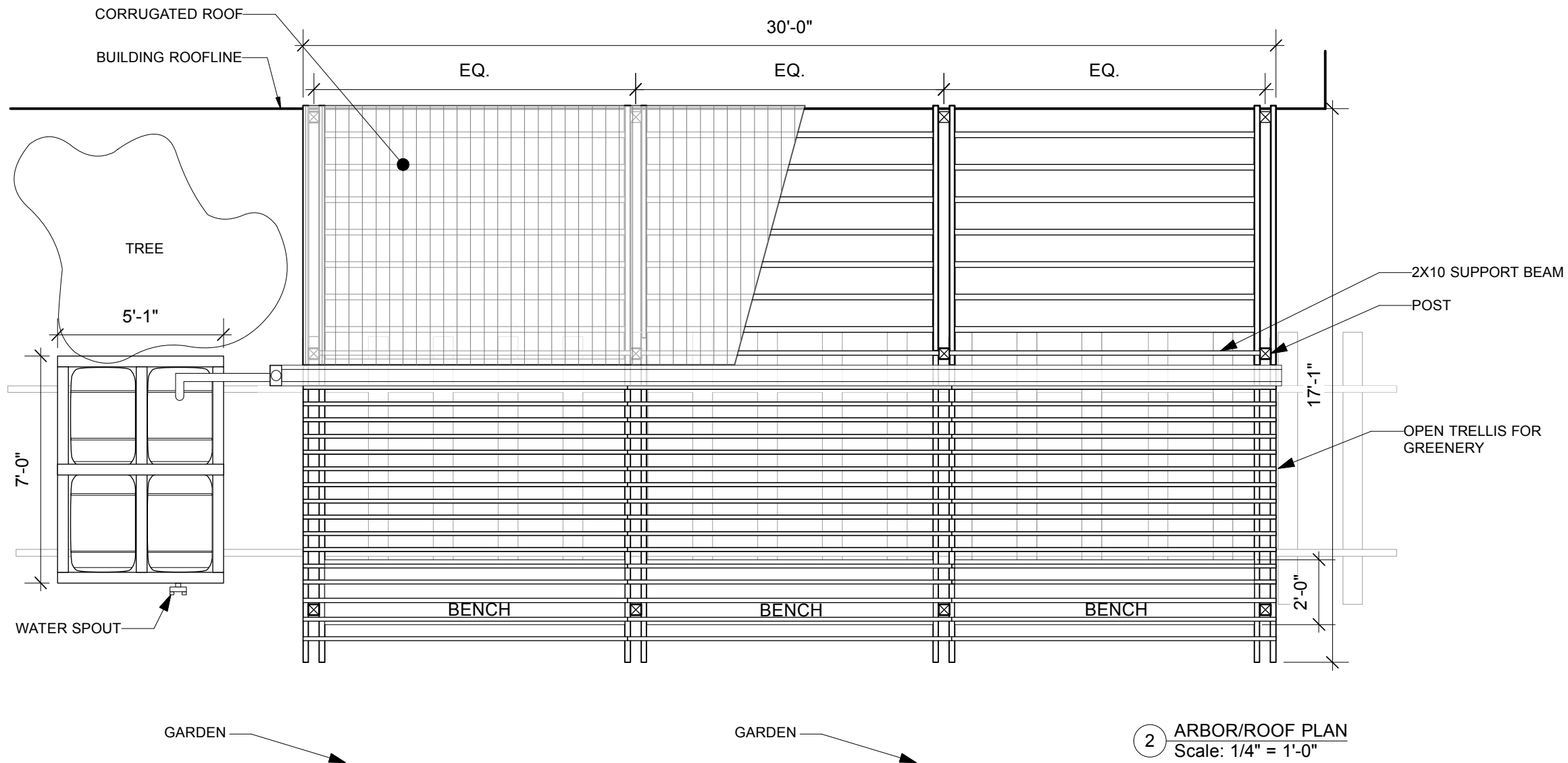


3 WATER COLLECTION BARRELS
Scale: 1/4" = 1'-0"



1 ELEVATION FACING SOUTH
Scale: 1/4" = 1'-0"



2 ARBOR/ROOF PLAN
Scale: 1/4" = 1'-0"

SMILING HOGSHEAD RANCH QUEENS, NY	
RAIN WATER COLLECTION	
EMILY LINDBERG (203) 246 - 8802	
DATE: 01/15/13	SK-1